

TFMOV

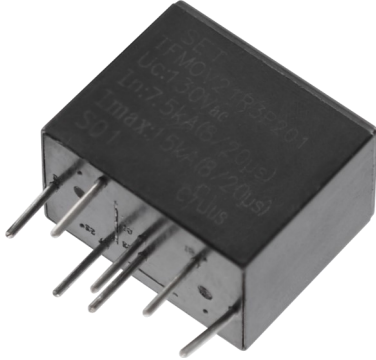
Thermal Fuse & MOV (TFMOV)

TFMOV21R3P Series

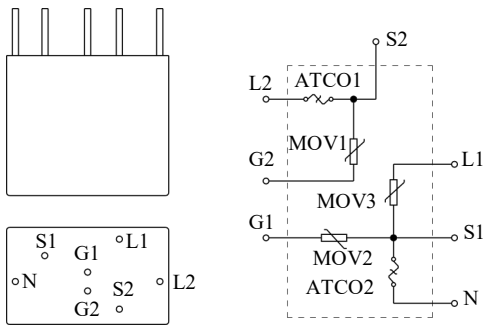
Description

Thermal Fuse & MOV (TFMOV) is a thermally protected varistor that has all the characteristics of a thermally protected varistor (MOV). TFMOV has all the characteristics of a varistor (MOV) with thermal protection, and there are two types of deterioration: natural deterioration due to long-term operation and deterioration due to an abnormal surge. When a surge occurs, the leakage current of the degraded MOV continues to increase, causing the surface temperature of the MOV to continue to rise and the possibility of fire. At this time, the thermal cutoff (fusible alloy) in the TFMOV senses the abnormal temperature and operates (blows) to disconnect the MOV from the main circuit to protect the entire circuit, and the MOV itself will not continue to heat up and catch fire.

SETsafe | SETfuse Thermal Protection Varistors - Fusible Alloy TFMOV21R3P Series are mainly composed of Varistors (MOV), Thermal Cutoffs (Fusible Alloy) (ATCO), Flame Retardant Cases and Metal Components (Pins), Potting Materials. Vertical mounting structure; Nominal discharge current: (2.5 ~ 7.5) kA; Maximum continuous operating voltage: (30 ~ 320) VAC; Safety certificates: UL, cUL, CQC; RoHS, REACH compliant.

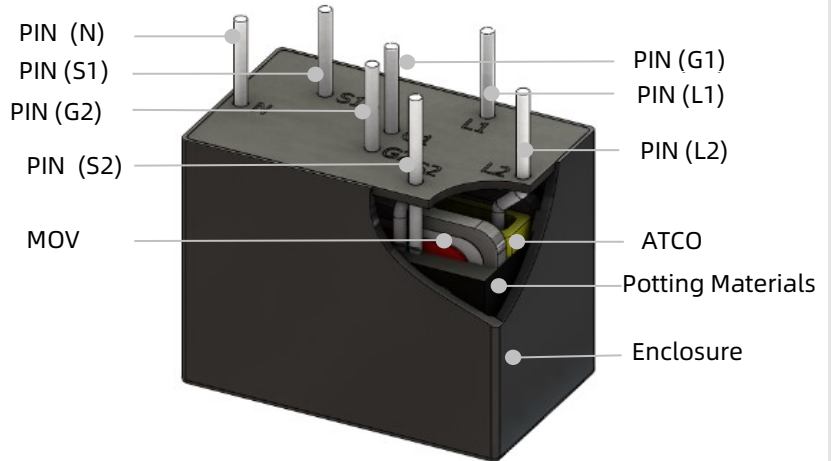


Schematics



TFMOV(ATCO)

Structure



TFMOV(ATCO)

Features

- Thermal Protection, High Reliability
- Small Size
- Remote Signal Contact for Failure Indication (Optional)
- High Energy Capacity
- Epoxy Sealing Material, Flame-retardant to V0 (UL 94)
- Comply with UL 1449 / IEC 61643-11

Applications




- Telecom Equipment
- String Inverter in Photovoltaic System
- AC / DC Power Supply
- Uninterruptable Power Supply (UPS)
- Surge Protective Device (SPD)
- Electric Meter
- Power Distribution Unit (PDU)

TFMOV

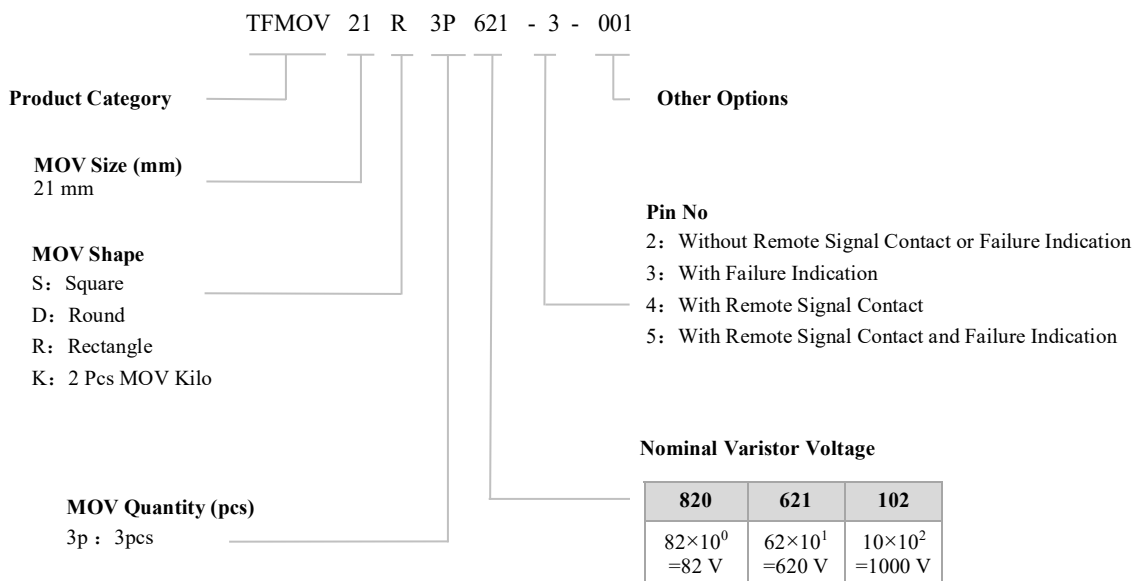
Thermal Fuse & MOV (TFMOV)

TFMOV21R3P Series

Agency Approvals

Agency Symbol	Standards	The File No. and certification No. obtained by SETsafe SETfuse	Category
	UL 1449	E322662	Type 4CA
	CSA C22.2 NO. 269, CSA ECN 516	E322662	Type 4CA
	GB 4943.1-2011 GB 8898-2011	CQC15001125794	Class II
Environment	RoHS & REACH	Compliant	

Part Numbering System



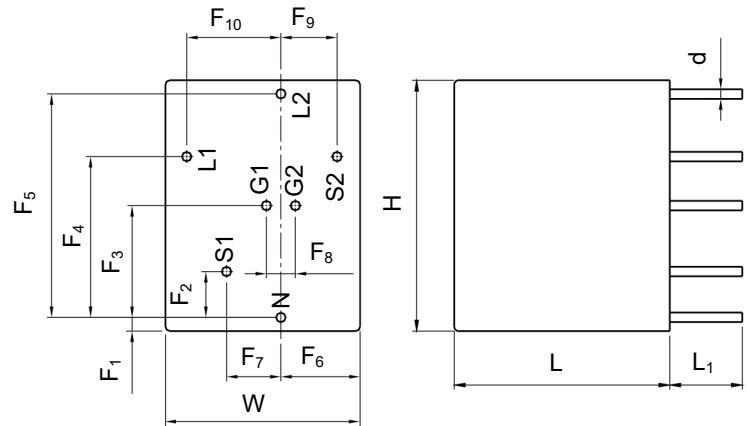
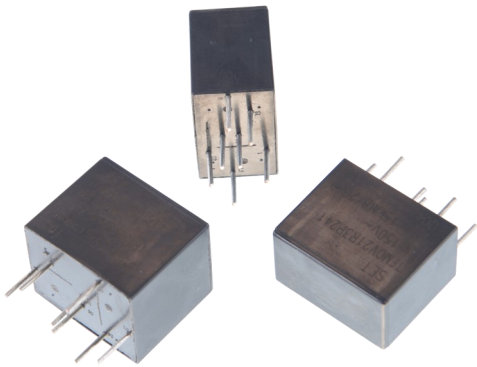
Reminder:

Part numbering system in the datasheet is only for selecting correct parameter and product features. Before placing order, please contact us for specifications and use the part number and product code in the specifications to place order to ensure the part is correct. Product code is the unique identification.

TFMOV

Thermal Fuse & MOV (TFMOV)

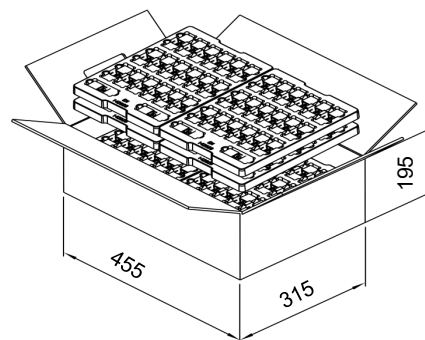
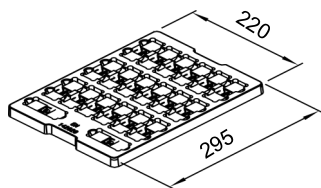
TFMOV21R3P Series



Note: Unit: mm

Nominal Varistor Voltage	L (±1.0)	L ₁ (±1.0)	W (±1.0)	H (±1.0)	d (-0.05,+0.15)	F ₁ (±0.5)	F ₂ (±0.5)	F ₃ (±0.5)
21R3P270 ~ 241	23.8	8.0	16.5	27.6	1.05	1.5	5.0	12.3
21R3P271 ~ 511	23.8	8.0	21.5	27.6	1.05	1.5	5.0	12.3
Nominal Varistor Voltage	F ₄ (±0.5)	F ₅ (±0.5)	F ₆ (±0.5)	F ₇ (±0.5)	F ₈ (±0.5)	F ₉ (±0.5)	F ₁₀ (±0.5)	
21R3P270 ~ 241	17.7	24.6	7.3	4.4	3.2	4.7	7.2	
21R3P271 ~ 511	17.7	24.6	8.8	6.0	3.2	6.2	10.4	

Packaging Information



Unit: mm

Please contact us if you have special packaging requirements.

Item	Nominal Varistor Voltage	Tray	Carton
Dimensions (mm)	N/A	295 × 220	455 × 315 × 195
Quantity (PCS)	470 ~ 511	25	300

TFMOV

Thermal Fuse & MOV (TFMOV)

TFMOV21R3P Series

Specifications

Model	Max. Continuous Operating Voltage		Varistor Voltage @1 mA DC		Clamping Voltage (Max.)		Nominal Dis-charge Current (8/20 μs)	Max. Dis-charge Current (8/20 μs)	Voltage Clamping Ratio ^a		Max. Energy (Joule)	Typical Capacitance (Reference)	Thermal Fuse
	U_c		Min.	Max.	V_C	I_P	I_n	I_{max}	R_{cl}	I_n	10/1000 μs	@1 kHz	UL 60691 E214712
	(VAC)	(VDC)	(V)		(V)	(A)	(kA)			(kA)	(J)	(pF)	
TFMOV21R3P470	30	38	42	52	93	25	2.5×3	5×3	4.3	2.5	41×3	8880×3	VT Series U_i : 690 VAC I_i : 15 A/ 16 A
TFMOV21R3P560	35	45	50	62	110	25	2.5×3	5×3	3.8	2.5	49×3	7800×3	
TFMOV21R3P680	40	56	61	75	135	25	2.5×3	5×3	3.8	2.5	59×3	7000×3	
TFMOV21R3P820	50	65	74	90	135	115	5×3	10×3	3.2	5	67×3	5880×3	
TFMOV21R3P101	60	85	90	110	165	115	5×3	10×3	3.2	5	84×3	4800×3	
TFMOV21R3P121	75	100	108	132	200	115	5×3	10×3	3.2	5	102×3	4000×3	
TFMOV21R3P151	95	125	135	165	250	115	5×3	10×3	3.2	5	127×3	3200×3	
TFMOV21R3P181	115	150	162	198	300	115	5×3	10×3	2.3	5	156×3	2650×3	
TFMOV21R3P201	130	170	185	225	340	115	7.5×3	15×3	2.3	7.5	170×3	2400×3	
TFMOV21R3P221	140	180	198	242	360	115	7.5×3	15×3	2.3	7.5	185×3	2160×3	
TFMOV21R3P241	150	200	216	264	395	115	7.5×3	15×3	2.3	7.5	200×3	2000×3	
TFMOV21R3P271	175	225	243	297	455	115	7.5×3	15×3	2.3	7.5	230×3	1800×3	
TFMOV21R3P301	190	250	270	330	500	115	7.5×3	15×3	2.3	7.5	250×3	1560×3	
TFMOV21R3P331	210	275	297	363	550	115	7.5×3	15×3	2.3	7.5	270×3	1440×3	
TFMOV21R3P361	230	300	324	396	595	115	7.5×3	15×3	2.3	7.5	305×3	1320×3	
TFMOV21R3P391	250	320	351	429	650	115	7.5×3	15×3	2.3	7.5	330×3	1200×3	
TFMOV21R3P431	275	350	387	473	710	115	7.5×3	15×3	2.3	7.5	365×3	1160×3	
TFMOV21R3P471	300	385	423	517	775	115	7.5×3	15×3	2.3	7.5	420×3	1020×3	
TFMOV21R3P511	320	415	459	561	845	115	7.5×3	15×3	2.3	7.5	430×3	935×3	

Note:

a: $R_d = \frac{V_C}{I_n}$, $U_p \geq V_C$, V_C : Clamping Voltage (@ I_n), V_N : Varistor Voltage, U_p : Voltage Protection Level.

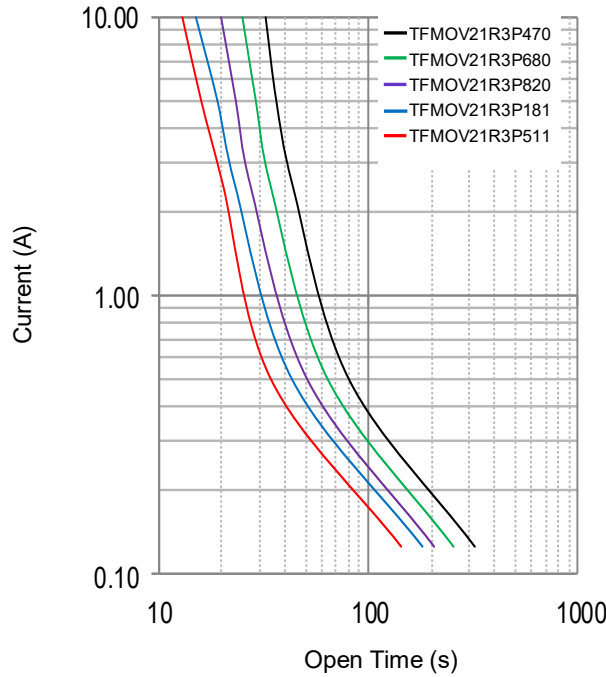
The Value of Voltage Protection Level (U_p) is determined according to IEC 61643-11:2011 clause 6.4.

Preferred values of voltage protection level (kV): 0.08, 0.09, 0.10, 0.12, 0.15, 0.22, 0.33, 0.4, 0.5, 0.6, 0.7, 0.8, 0.9, 1.0, 1.2, 1.5, 1.8, 2.0, 2.5, 3.0, 4.0, 5.0, 6.0, 8.0, 10.

*: Model TFMOV21R3P201 has acquired UL 1449 4th approval for SPD type3. When design TFMOV21R3P201 for surge protector, the manufacturers of surge protector should be exempted from annual factory inspection.

Performance Curve for Reference

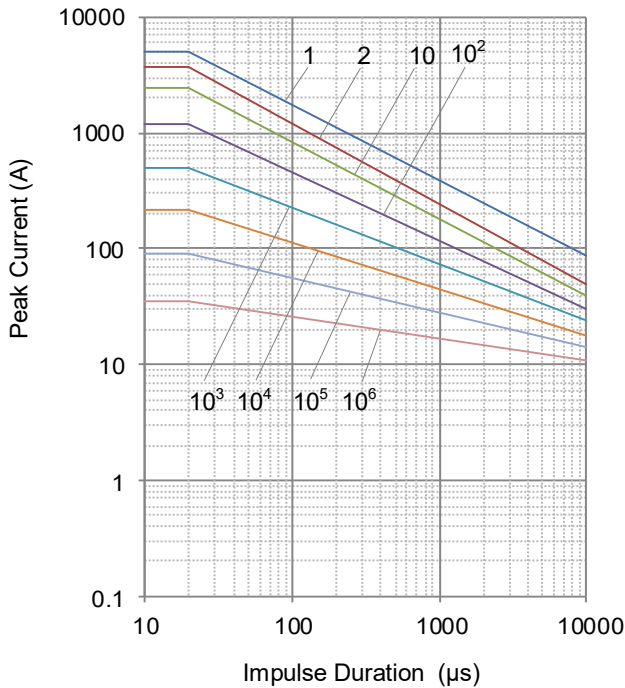
Limited Current Test Curve (UL 1449 clause 44.4)



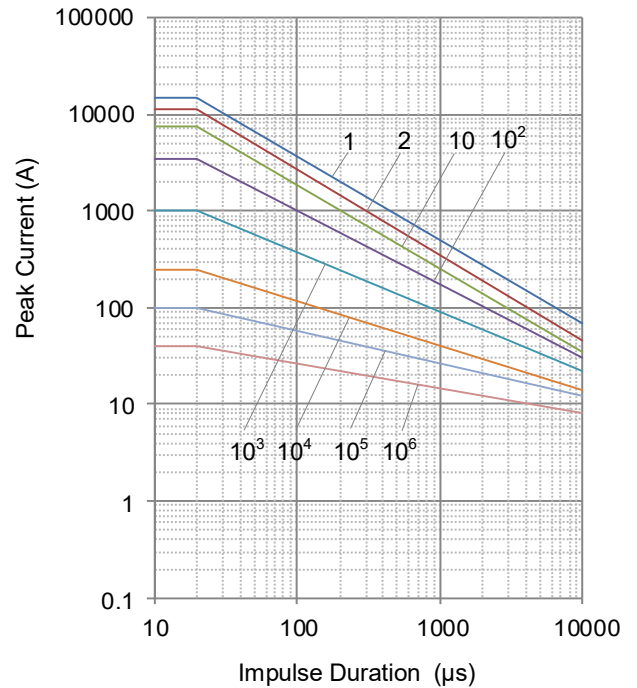
Note: The limited current test curve is for reference only.

Max. Peak Current Derating Curve

TFMOV21R3P470 to TFMOV21R3P680



TFMOV21R3P820 to TFMOV21R3P511



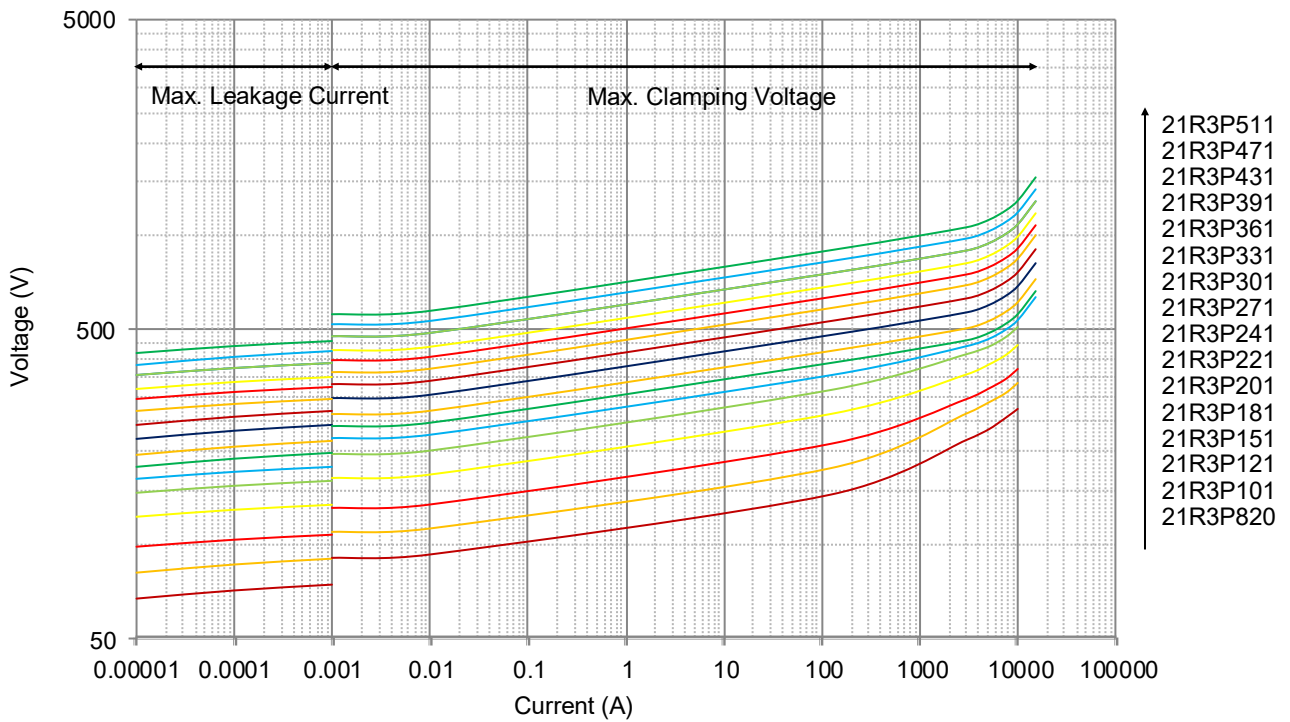
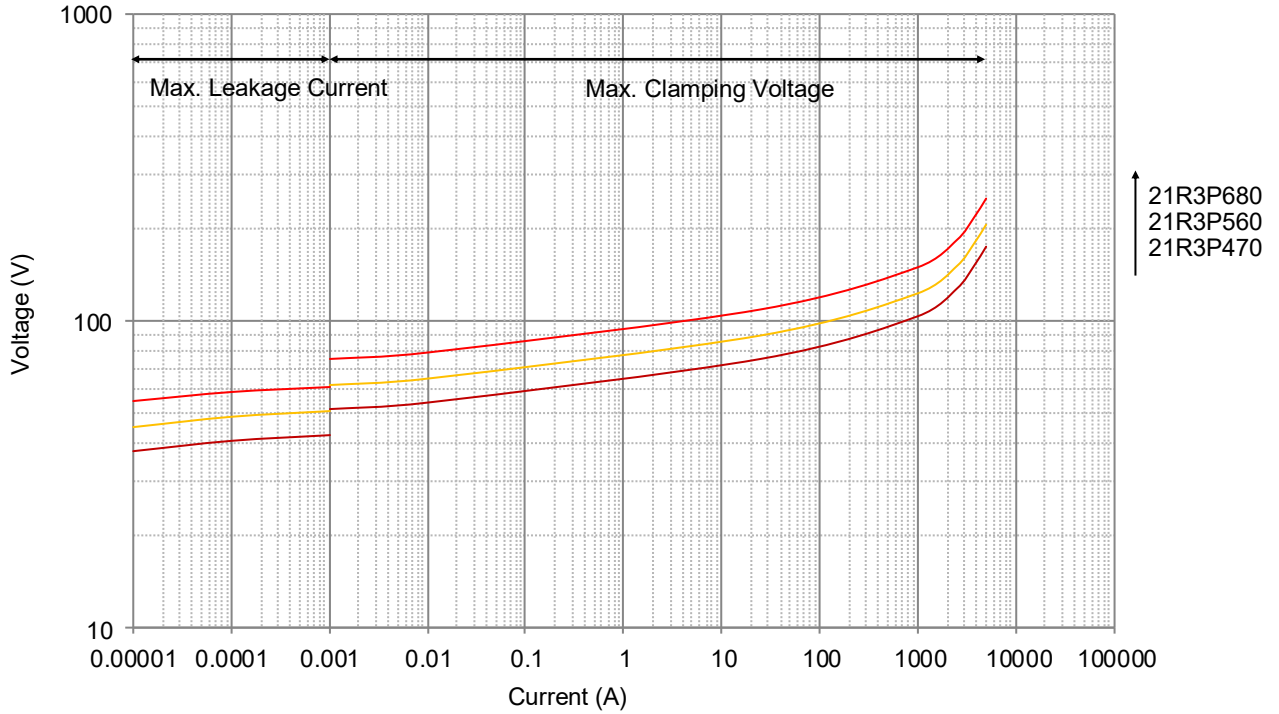
Note: 1, 2, 10, 10², 10³, 10⁴, 10⁵, 10⁶ Stand for number of repetitions.

TFMOV

Thermal Fuse & MOV (TFMOV)

TFMOV21R3P Series

Voltage-Current Characteristic Curves

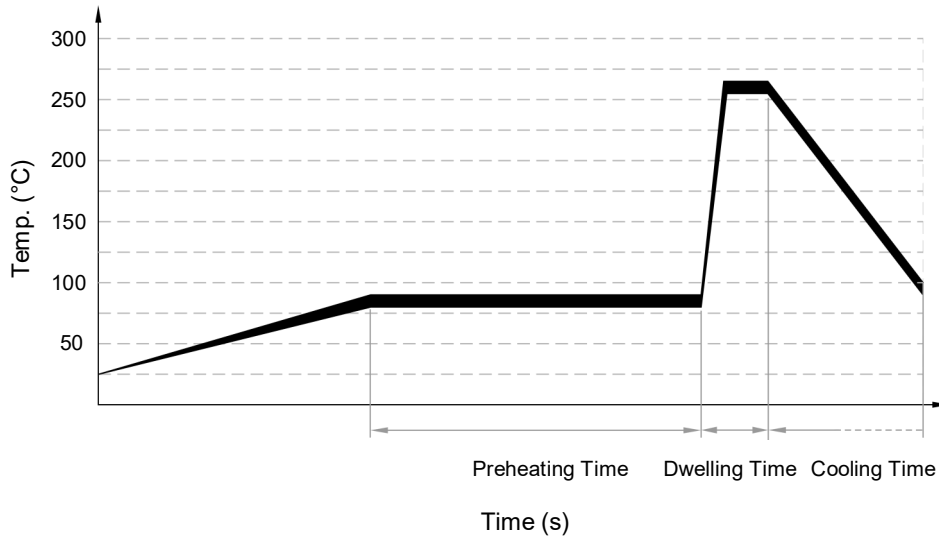


TFMOV

Thermal Fuse & MOV (TFMOV)

TFMOV21R3P Series

Wave Soldering Parameters (Reference)



Item	Temp. (°C)	Time (s)
Preheating	80 to 90	60 to 150
Dwelling	250 to 260	2 to 4

Recommended Hand-Soldering Parameters

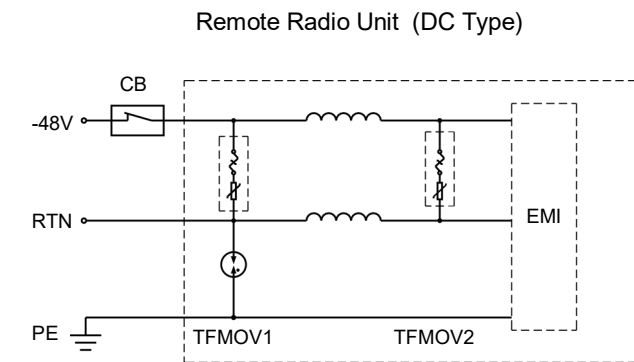
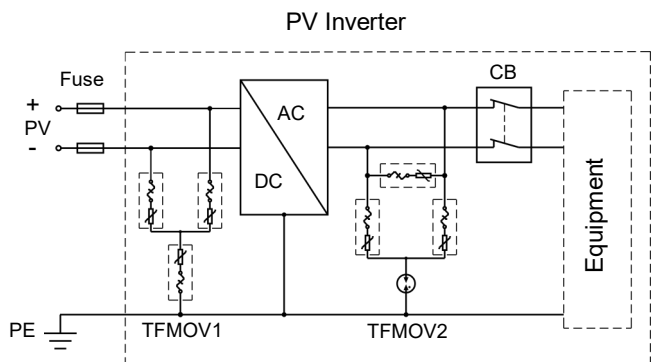
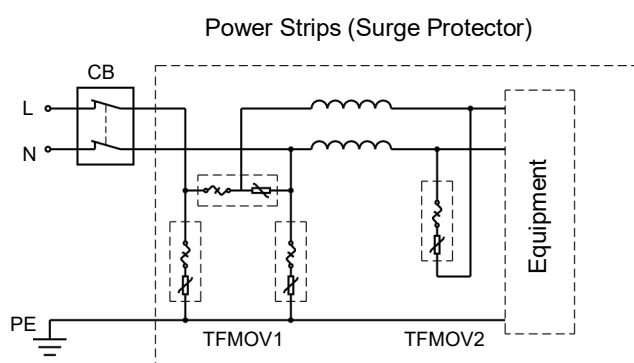
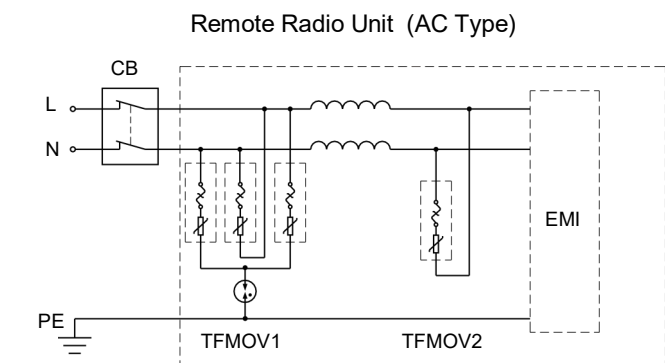
Item	Condition
Iron Temperature	350 °C (Max.)
Soldering Time	4 seconds (Max.)
Distance between Soldering Point and the Bottom of Product	2 mm (Min.)

TFMOV

Thermal Fuse & MOV (TFMOV)

TFMOV21R3P Series

Application Options



Design

When a single TFMOV surge capacity can't meet the requirement of customers, paralleling more TFMOVs is recommended. Due to its nonlinear current-voltage characteristics, please pay attention to below tips:

1. Use the TFMOV from the same manufacturer with same model to parallel.
2. Control the varistor voltage; Typically, the varistor voltage deviation should be less than 1% in the same group (between the Max and Min), and meet the next tip at the same time.
3. Calculate the average surge capacity for each TFMOV and keep a margin at least 10%.
4. Design the layout like Figure.2. to make sure the surge capacity is divided averagely.

The Design not Recommended

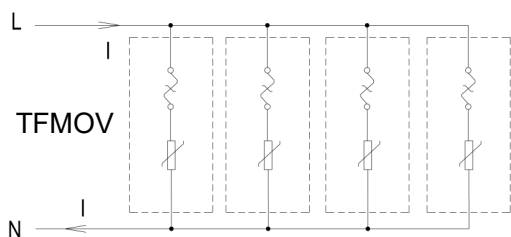


Figure .1

The Design Recommended

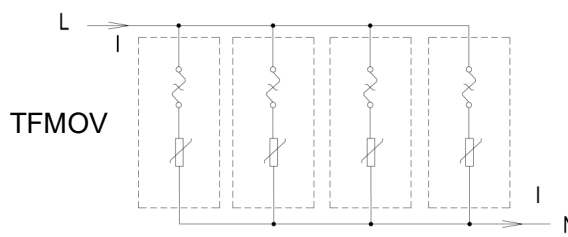


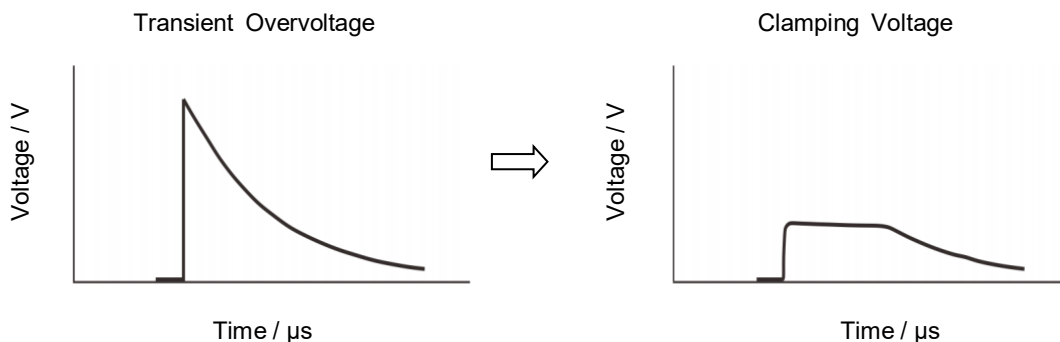
Figure .2

TFMOV

Thermal Fuse & MOV (TFMOV)

TFMOV21R3P Series

MOV Operation Principle



MOV Thermal Protection

Figure a is a surge protection circuit commonly used in power supplies. MOV is used to suppress the surge voltage and protect the subsequent circuit. There is a risk of burning when the varistor degrades or fails. In the high-reliability surge protection circuit of Figure b, in order to improve the safety of the circuit, a thermal protection varistor TFMOV is used as the surge voltage protection element. TFMOV is a combination of varistors (MOV) and thermal protection component. When the temperature of the MOV is abnormally exceeded, the thermal fuse will be opened first, so that the failure mode of the MOV appears to be open-circuit failure.

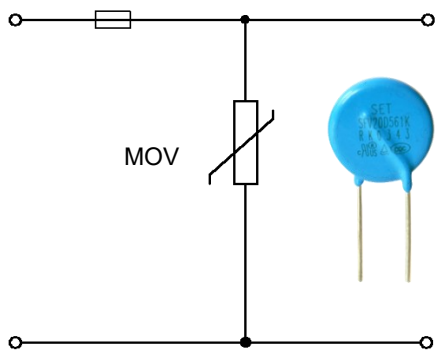


Figure a Typical surge protection circuit

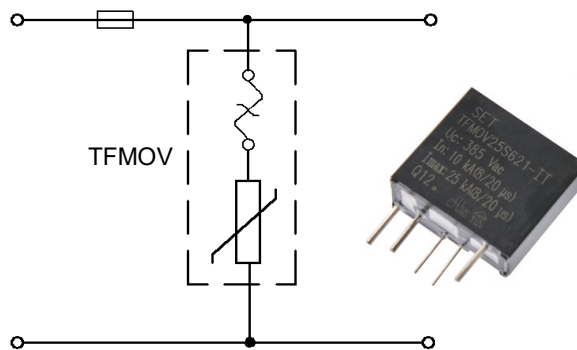


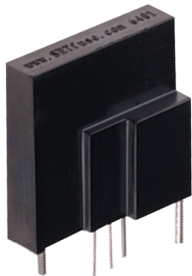
Figure b: High reliability surge protection circuit

TFMOV

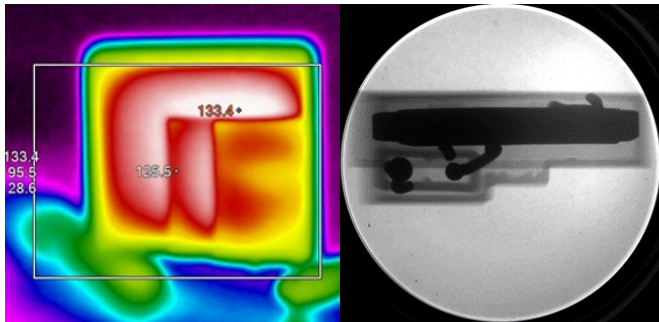
Thermal Fuse & MOV (TFMOV)

TFMOV21R3P Series

Benefits



Safety

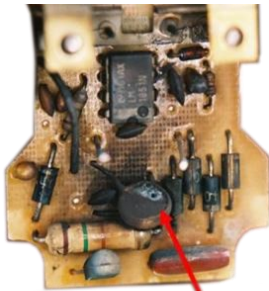


TFMOV Failure Simulation

During the electrical performance degrading of varistor, the inbuilt ATCO will open the circuit when the leakage current of varistor increases to tens of micro Amperes. As shown in the figure above, this is a safe open circuit failure.



Hidden Danger



Hole in Varistor



MOV Failure Simulation

The electrical performance of varistor degrades with operating, mostly the varistor voltage drops, and leakage current increases. The heat accumulation can cause the temperature increase sharply and varistor results in thermal breakdown to short circuit status. It's very dangerous.

Glossary

Item	Description
V_N	Nominal Varistor Voltage Voltage, at specified d.c. current used as a reference point in the component characteristic.
8/20 μ s	8/20 Current Impulse Current impulse with a nominal virtual front time of 8 μ s and a nominal time to half-value of 20 μ s. — (IEC 61643-11)
1.2/50 μ s	1.2/50 Voltage Impulse Voltage impulse with a nominal virtual front time of 1.2 μ s and a nominal time to half-value of 50 μ s. — (IEC 61643-11)
U_c	Maximum Continuous Operating Voltage Maximum r.m.s. voltage, which may be continuously applied to the SPD's mode of protection. — (IEC 61643-11)
I_n	Nominal Discharge Current Crest value of the current through the SPD having a current waveshape of 8/20 μ s. — (IEC 61643-11)
I_{imp}	Impulse Discharge Current for Class I Test Crest value of a discharge current through the SPD with specified charge transfer Q and specified energy W/R in the specified time. — (IEC 61643-11)
I_{max}	Maximum Discharge Current Crest value of a current through the SPD having an 8/20 μ s waveshape and magnitude according to the manufacturers specification. I_{max} is equal to or greater than I_n . — (IEC 61643-11)
V_c	Clamping Voltage Peak voltage developed across the varistor terminations under standard atmospheric conditions, when passing an 8/20 μ s class current pulse.
C_v	Capacitance Capacitance across the MOV measured at a specified frequency and voltage.
Modes of protection	Modes of protection An intended current path, between terminals that contains protective components, e.g. line-to-line, line-to-earth, line-to-neutral, neutral-to-earth. — (IEC 61643-11)
U_p	Voltage Protection Level Maximum voltage to be expected at the SPD terminals due to an impulse stress with defined voltage steepness and an impulse stress with a discharge current with given amplitude and wave shape. — (IEC 61643-11)
TCO	Thermal-Link A non-resettable device incorporating a THERMAL ELEMENT which will open a circuit once only when exposed for a sufficient length of time to a temperature in excess of that for which it has been designed.
ATCO	Alloy Thermal-Link Alloy Type Thermal-Link, Alloy is the thermal element.
MOV	Varistors A resistive device with nonlinear voltammetry characteristics

TFMOV

Thermal Fuse & MOV (TFMOV)

TFMOV21R3P Series

Patents

Name	Region	Category	Patent NO.
Varistor with In-built Alloy-Type Thermal Fuse	China	Patent for Invention	ZL 200510044661.5
A Protection Pluggable Module with Over Current、Over Voltage、and Over Temperature Protection Function	China	Utility Model	ZL 201020244488.X
A Varistor with Double Protection Function	China	Utility Model	ZL 201020255481.8
Surge Protection Module Applicable for Power Strip	China	Utility Model	ZL 201120107173.5
A Surge Protection Module Applicable for Power Strip	China	Patent for Invention	ZL 201110092261.7
A New Type of Varistor and Surge Protective Device with Thermal Protection	China	Utility Mode	ZL 201420306127.1
A Surge Protective Device	China	Utility Modeel	ZL 201420415059.2
A Varistor and Thermal Protection Component Combination	China	Utility Mode	ZL 201520376567.9
合金型温度ヒューズ付のバリスタ	Japan	Utility Mode	3142835
Varistor with an Alloy-Type Temperature Fuse	Australia	Utility Mode	2007100456
Varistor with an Alloy-Type Temperature Fuse	Taiwan	Utility Model	M 300855
Varistor with an Alloy-type Temperature Fuse	Canada	Patent for Invention	2588819
Metal Oxide Varistor with Built-in Alloy-Type Temperature Fuse	USA	Patent for Invention	US 8780521
Varistor with In-built Alloy Type Thermal Fuse (with Housing)	USA	Patent for Invention	US 9355763



ATTENTION

Usage

1. Frequency range is from 47 Hz to 63 Hz.
2. The voltage applied continuously to the TFMOV can not exceed its maximum continuous operating voltage U_c .
3. When atmosphere press is from 80 kPa to 106 kPa, the related altitude shall be from 2000 meters to - 500 meters.
4. Do not touch the product body or pins directly when power is on, to avoid electric shock.
5. Do not clean the TFMOV with strong polar solvent such as ketone, esters, benzene, halogenated hydrocarbon, to avoid damaging the enclosure.
6. It should have a reliable grounding when using these products.

Replacement

TFMOV is a non-repairable product. For safety sake, please use equivalent TFMOV for replacement.

Storage

Do not store TFMOV at high temperature, high humidity or corrosive gas environment. To avoid reducing the solderability of the pins, please use them up within 1 year after receiving the goods.

Installation Position

Do not install the TFMOV on a place that may often suffer severe continuous vibration.

Mechanical Stress

Do not take violent action such as knocking when assembling to avoid mechanical damage.

Thermal Fuse & MOV (TFMOV) Feature & Model List Overview

Rated Voltage U_n (V)	AC	DC	Nominal Discharge Current I_n (kA)										Maximum Continuous Operating Voltage U_n (V)		
			1	1.5	2.5	3	4	5	AC	DC					
690V	600V		○	○	○	○	○	○	○	○	○	○	○	750	1000
			○	○	○	○	○	○	○	○	○	○	○	680	895
480V	400V		○	○	○	○	○	○	○	○	○	○	○	625	825
			○	○	○	○	○	○	○	○	○	○	○	550	745
347V	254		○	○	○	○	○	○	○	○	○	○	○	510	670
			○	○	○	○	○	○	○	○	○	○	○	460	615
220	277V		○	○	○	○	○	○	○	○	○	○	○	420	560
			○	○	○	○	○	○	○	○	○	○	○	385	505
230V	300V		○	○	○	○	○	○	○	○	○	○	○	350	460
			○	○	○	○	○	○	○	○	○	○	○	320	415
	220V		○	○	○	○	○	○	○	○	○	○	○	300	385
			○	○	○	○	○	○	○	○	○	○	○	275	350
	130V		○	○	○	○	○	○	○	○	○	○	○	250	320
			○	○	○	○	○	○	○	○	○	○	○	230	300
110V	110V		○	○	○	○	○	○	○	○	○	○	○	210	275
			○	○	○	○	○	○	○	○	○	○	○	190	250
	60V		○	○	○	○	○	○	○	○	○	○	○	175	225
			○	○	○	○	○	○	○	○	○	○	○	150	200
48V	60V		○	○	○	○	○	○	○	○	○	○	○	140	180
			○	○	○	○	○	○	○	○	○	○	○	130	170
	48V		○	○	○	○	○	○	○	○	○	○	○	115	150
			○	○	○	○	○	○	○	○	○	○	○	95	125
24V	24V		○	○	○	○	○	○	○	○	○	○	○	75	100
			○	○	○	○	○	○	○	○	○	○	○	60	85
	36V		○	○	○	○	○	○	○	○	○	○	○	50	65
			○	○	○	○	○	○	○	○	○	○	○	40	56
	24V		○	○	○	○	○	○	○	○	○	○	○	35	45
			○	○	○	○	○	○	○	○	○	○	○	30	38
12V	12V		○	○	○	○	○	○	○	○	○	○	○	25	31
			○	○	○	○	○	○	○	○	○	○	○	20	26
			○	○	○	○	○	○	○	○	○	○	17	22	

Thermal Fuse & MOV (TFMOV) Feature & Model List Overview

Rated Voltage U_n (V)	AC	DC	Model						Maximum Continuous Operating Voltage U_n (V)				
			7.5	8	10	10	10	15	AC	DC			
690V	600V		TFMOV20S122x	○	○	○	TFMOV25D122x	TFMOV25S122x	○	○	○	750	1000
			TFMOV20S112x	○	○	○	TFMOV25D112x	TFMOV25S112x	○	○	○	680	895
480V	400V		TFMOV20S102x	○	○	○	TFMOV25D102x	TFMOV25S102x	○	○	○	625	825
			TFMOV20S911x	○	○	○	TFMOV25D911x	TFMOV25S911x	○	○	○	550	745
347V	300V		TFMOV20S821x	○	○	○	TFMOV25D821x	TFMOV25S821x	○	○	○	510	670
			TFMOV20S751x	○	○	○	TFMOV25D751x	TFMOV25S751x	○	○	○	460	615
220 - 230V	254 - 277V		TFMOV20S681x	TFMOV20S681Lx	○	○	TFMOV25D681x	TFMOV25S681x	TFMOV25S681Lx	○	○	420	560
			TFMOV20S621x	TFMOV20S621Lx	○	○	TFMOV25D621x	TFMOV25S621x	TFMOV25S621Lx	○	○	385	505
220 - 230V	300V		TFMOV20S561x	TFMOV20S561Lx	○	○	TFMOV25D561x	TFMOV25S561x	TFMOV25S561Lx	○	○	350	460
			TFMOV20S511x	TFMOV20S511Lx	○	○	TFMOV25D511x	TFMOV25S511x	TFMOV25S511Lx	○	○	320	415
120 - 130V	220V		TFMOV20S471x	TFMOV20S471Lx	○	○	TFMOV25D471x	TFMOV25S471x	TFMOV25S471Lx	○	○	300	385
			TFMOV20S431x	TFMOV20S431Lx	○	○	TFMOV25D431x	TFMOV25S431x	TFMOV25S431Lx	○	○	275	350
110V	110V		TFMOV20S391x	TFMOV20S391Lx	○	○	TFMOV25D391x	TFMOV25S391x	TFMOV25S391Lx	○	○	250	320
			TFMOV20S361x	TFMOV20S361Lx	○	○	TFMOV25D361x	TFMOV25S361x	TFMOV25S361Lx	○	○	230	300
110V	110V		TFMOV20S331x	TFMOV20S331Lx	○	○	TFMOV25D331x	TFMOV25S331x	TFMOV25S331Lx	○	○	210	275
			TFMOV20S301x	TFMOV20S301Lx	○	○	TFMOV25D301x	TFMOV25S301x	TFMOV25S301Lx	○	○	190	250
48V	60V		TFMOV20S271x	TFMOV20S271Lx	○	○	TFMOV25D271x	TFMOV25S271x	TFMOV25S271Lx	○	○	175	225
			TFMOV20S241x	TFMOV20S241Lx	○	○	TFMOV25D241x	TFMOV25S241x	TFMOV25S241Lx	○	○	150	200
48V	48V		TFMOV20S221x	TFMOV20S221Lx	○	○	TFMOV25D221x	TFMOV25S221x	TFMOV25S221Lx	○	○	140	180
			TFMOV20S201x	TFMOV20S201Lx	○	○	TFMOV25D201x	TFMOV25S201x	TFMOV25S201Lx	○	○	130	170
24V	24V		○	○	TFMOV25S181x	TFMOV25S181Lx	○	○	○	TFMOV20K181x	○	115	150
			○	○	TFMOV25S151x	TFMOV25S151Lx	○	○	○	TFMOV20K151x	○	95	125
24V	24V		○	○	TFMOV25S121x	TFMOV25S121Lx	○	○	○	TFMOV34S121x	○	75	100
			○	○	TFMOV25S101x	TFMOV25S101Lx	○	○	○	TFMOV34S101x	TFMOV34S680Lx	60	85
12V	12V		○	○	TFMOV25S820x	TFMOV25S820Lx	○	○	○	TFMOV34S560Lx	TFMOV34S820x	50	65
			○	○	○	○	TFMOV34S680x	○	○	TFMOV34S470Lx	○	40	56
12V	12V		○	○	○	○	TFMOV34S560x	○	○	○	○	35	45
			○	○	○	○	TFMOV34S470x	○	○	○	○	30	38
12V	12V		○	○	○	○	○	○	○	○	○	25	31
			○	○	○	○	○	○	○	○	○	20	26
12V	12V		○	○	○	○	○	○	○	○	○	17	22
			○	○	○	○	○	○	○	○	○	○	○

Thermal Fuse & MOV (TFMOV) Feature & Model List Overview

Rated Voltage U_n (V)		Model								Maximum Continuous Operating Voltage U_n (V)	
AC	DC	15	20 $I_{max} = 2.5I_n$	20	30	40	AC	DC	750	1000	
690V	600V	○	TFMOV20K122x	○	TFMOV34S122x	○	○	TFMOV40K122x	○	680	895
		○	TFMOV20K112x	○	TFMOV34S112x	○	○	TFMOV40K112x	○	625	825
480V		○	TFMOV20K102x	○	TFMOV34S102x	○	○	TFMOV40K102x	○	550	745
	400V	○	TFMOV20K911x	TFMOV20K550x	TFMOV34S911x	○	○	TFMOV40K911x	TFMOV40K550x	510	670
347V		○	TFMOV20K821x	○	TFMOV34S821x	○	○	TFMOV40K821x	○	460	615
		○	TFMOV20K751x	TFMOV20K460x	TFMOV34S751x	○	○	TFMOV40K751x	TFMOV40K460x	420	560
	254	○	TFMOV20K681x	○	TFMOV34S681x	TFMOV34S681Lx	○	TFMOV40K681x	○	385	505
	277V	○	TFMOV20K621x	○	TFMOV34S621x	TFMOV34S621Lx	○	TFMOV40K621x	○	350	460
220		○	TFMOV20K561x	TFMOV20K350x	TFMOV34S561x	TFMOV34S561Lx	○	TFMOV40K561x	TFMOV40K350x	320	415
230V	300V	○	TFMOV20K511x	○	TFMOV34S511x	TFMOV34S511Lx	○	TFMOV40K511x	○	300	385
		○	TFMOV20K471x	○	TFMOV34S471x	TFMOV34S471Lx	○	TFMOV40K471x	○	275	350
		○	TFMOV20K431x	TFMOV20K300x	TFMOV34S431x	TFMOV34S431Lx	○	TFMOV40K431x	TFMOV40K300x	250	320
	120	○	TFMOV20K391x	○	TFMOV34S391x	TFMOV34S391Lx	○	TFMOV40K391x	○	230	300
	130V	○	TFMOV20K361x	○	TFMOV34S361x	TFMOV34S361Lx	○	TFMOV40K361x	○	210	275
		○	TFMOV20K331x	○	TFMOV34S331x	TFMOV34S331Lx	○	TFMOV40K331x	○	190	250
		○	TFMOV20K301x	○	TFMOV34S301x	TFMOV34S301Lx	○	TFMOV40K301x	○	175	225
	110V	○	TFMOV20K271x	○	TFMOV34S271x	TFMOV34S271Lx	○	TFMOV40K271x	○	150	200
110V		○	TFMOV20K241x	TFMOV20K150x	TFMOV34S241x	TFMOV34S241Lx	○	TFMOV40K241x	TFMOV40K150x	140	180
		○	TFMOV20K221x	○	TFMOV34S221x	TFMOV34S221Lx	○	TFMOV40K221x	○	130	170
		○	TFMOV20K201x	○	TFMOV34S201x	TFMOV34S201Lx	○	TFMOV40K201x	○	115	150
	60V	○	○	○	TFMOV34S181x	TFMOV34S181Lx	○	TFMOV40K181x	○	95	125
48V	60V	○	○	○	TFMOV34S151x	TFMOV34S151Lx	○	○	○	75	100
	48V	TFMOV34S121Lx	○	○	○	○	○	○	○	60	85
	36V	TFMOV34S101Lx	○	○	○	○	TFMOV40K121x	○	○	50	65
		TFMOV34S820Lx	○	○	○	○	TFMOV40K101x	○	○	40	56
		○	○	○	○	○	TFMOV40K820x	○	○	35	45
24V	24V	○	○	○	○	○	○	○	○	30	38
		○	○	○	○	○	○	○	○	25	31
12V	12V	○	○	○	○	○	○	○	○	20	26
		○	○	○	○	○	○	○	○	17	22

Thermal Fuse & MOV (TFMOV) Feature & Model List Overview

Rated Voltage U_n (V)	AC	DC	Nominal Discharge Current I_n (kA)						Maximum Continuous Operating Voltage U_n (V)	
			2.5x2	5x2	7.5x2	2.5x3	5x3	7.5x3	AC	DC
690V									750	1000
600V									680	895
480V									625	825
400V									550	745
347V									510	670
254									460	615
220									420	560
230V									385	505
300V					TFMOV21R2P511				350	460
					TFMOV21R2P471				320	415
					TFMOV21R2P431				300	385
					TFMOV21R2P391				275	350
120					TFMOV21R2P361				250	320
130V					TFMOV21R2P331				230	300
					TFMOV21R2P301				210	275
					TFMOV21R2P271				190	250
					TFMOV21R2P241				175	225
110V					TFMOV21R2P221				150	200
					TFMOV21R2P201				140	180
									130	170
					TFMOV21R2P181				115	150
60V					TFMOV21R2P151				95	125
48V					TFMOV21R2P121				75	100
					TFMOV21R2P101				60	85
36V					TFMOV21R2P820				50	65
									40	56
24V					TFMOV21R2P680		TFMOV21R3P680		35	45
					TFMOV21R2P560		TFMOV21R3P560		30	38
					TFMOV21R2P470		TFMOV21R3P470		25	31
12V									20	26
									17	22